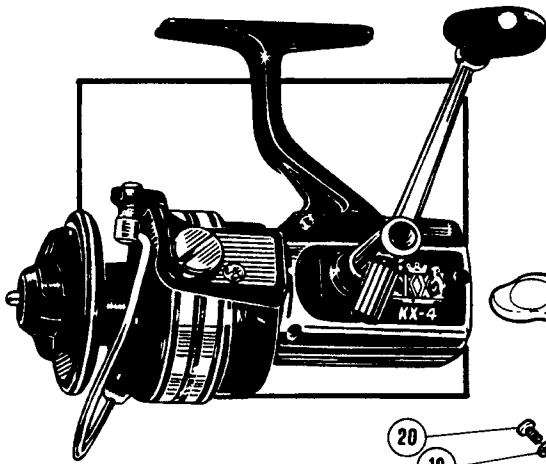


SHIMANO

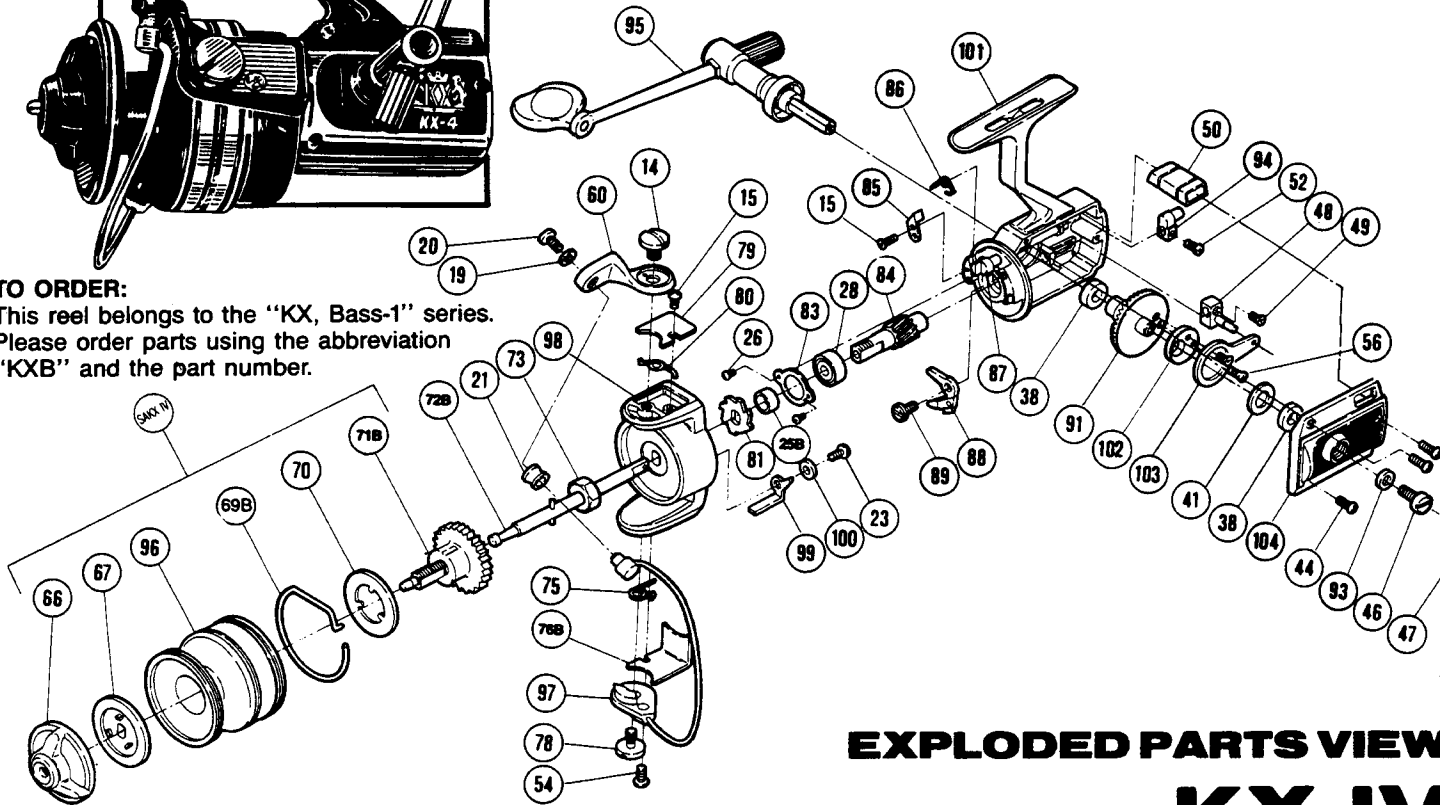
1987 REPAIR MANUAL KX IV

Shimano American Corporation, One Shimano Dr.
Irvine, CA 92718



TO ORDER:

This reel belongs to the "KX, Bass-1" series.
Please order parts using the abbreviation
"KXB" and the part number.



EXPLODED PARTS VIEW KX IV

PARTS LIST

PART # DESCRIPTION

- 14 Bail Mount Screw
- 15 Bail Spring Cover Screw
- 19 Line Guide Lock Washer
- 20 Line Guide Screw
- 21 Roller Line Guide
- 23 Trip Lever Screw
- 25B Anti Reverse Spacer
- 26 Bearing Lock Screw
- 28 Ball Bearing
- 38 Drive Gear Bushing
- 41 Thrust Washer
- 44 Side Plate Screw
- 46 Handle Retainer Screw
- 47 Dust Cap
- 48 Oscillation Block
- 49 Oscillation Block Screw
- 50 Anti Reverse Switch
- 52 Actuator Screw
- 54 Trip Lever Cover Screw

PART # DESCRIPTION

- 56 Oscillation Disk Screw
- 60 Bail Mount
- 66 Drag Adjusting Knob
- 67 Drag Disk
- 69B Click Spring
- 70 Base Drag Washer
- 71B Spool Spindle
- 72B Spool Axle
- 73 Rotor Nut
- 75 Trip Lever Spring
- 75B Trip Lever Cover
- 78 Bail Wire Screw
- 79 Bail Spring Cover
- 80 Bail Spring
- 81 Anti Reverse Ratchet
- 83 Bearing Lock
- 84 Pinion Gear

PART # DESCRIPTION

- 85 Trip Cam
- 86 Anti Reverse Shaft Spring
- 87 Anti Reverse Shaft
- 88 Anti Reverse Dog
- 89 Anti Reverse Dog Screw
- 91 Drive Gear
- 93 Handle Screw Lock Washer
- 94 Anti Reverse Actuator
- 95 Handle
- 96 Spool Shell
- 97 Bail Wire
- 98 Rotor
- 99 Trip Lever
- 100 Trip Lever Spacer
- 101 Housing
- 102 Oscillation Disk
- 103 Oscillation Guide
- 104 Side Plate
- SAKX IV Complete Spool Assembly